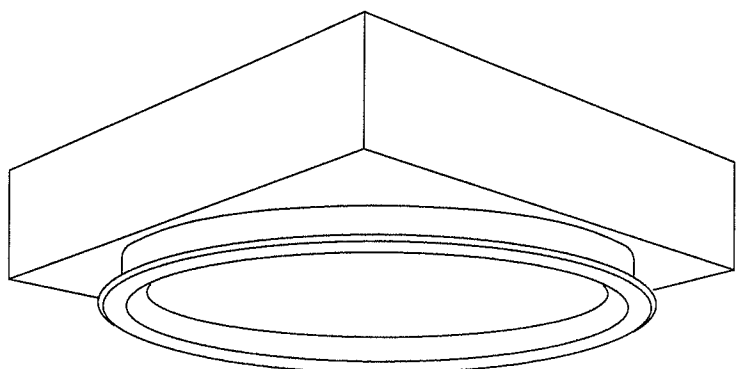


NOTES:

1. VOLTAGE: TO SPEC
2. FINISH: BWE
3. INDOOR USE
4. LAMPS BY OTHERS

NO.	DESCRIPTION
1	MOUNTING BRACKET
2	CEILING SUPPORT RAIL (BY OTHERS)
3	HOUSING, STEEL
4	LAMPHOLDER
5	LAMP
6	BALLAST
7	LENS, OPAL ACRYLIC
8	LENS FRAME SPRING RETAINER
9	LENS FRAME ASSEMBLY
10	CEILING TRIM FLANGE
11	CEILING, DRYWALL (BY OTHERS)



For desired lamp combinations, add Lamp wattages and types to Catalogue No. eg:  
LE\CR-10055-2x32UT8

When ordering, specify desired Voltage eg:  
LE\CR-10055-2x32UT8-120V

For the ELECTRONIC ballast option, add suffix "E" to Catalogue No. ie:  
LE\CR-10055-2x32UT8-120E

Consult factory for other SIZES and LAMP COMBINATIONS

Consult factory for other TRIM RING FINISHES

FOR PLASTER/DRYWALL CEILING

Continuous research and development may require to discontinue or alter a product for improvements, without notice. Consult factory for updated information

LAMPING OPTIONS

QTY	TYPE
2	F32UT8 LAMP
4	F17T8 LAMP

TYPE: PROJECT:

LE\CR-10055



DATE: 06.09.21

SCALE: NTS

DRAWING NO.

L 10055R4