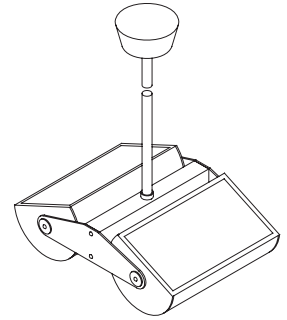
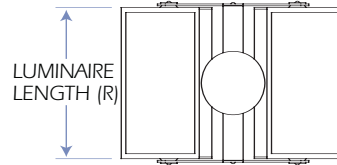
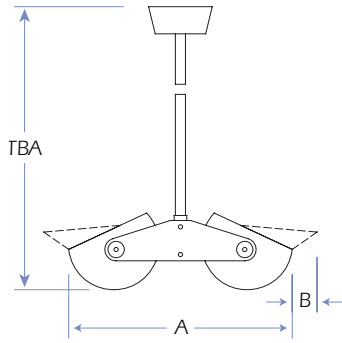


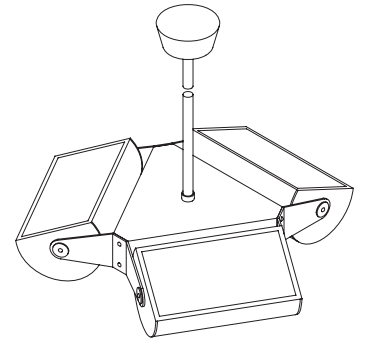
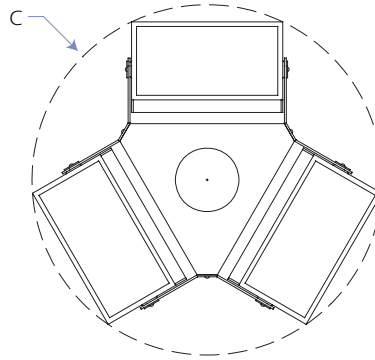
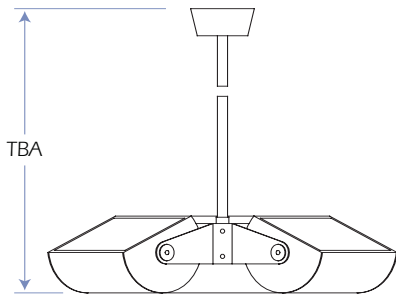
Flood Clusters

SIZE	A	B	C	D
SMALL	16"	1.50"	CONSULT FACTORY	
MEDIUM	22"	2.50"		
LARGE	32"	3.50"		

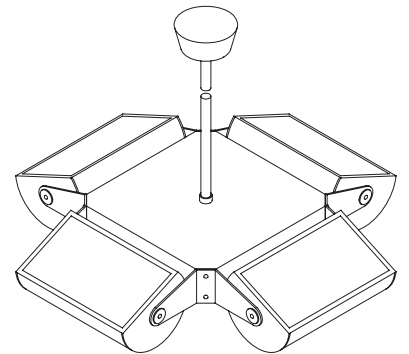
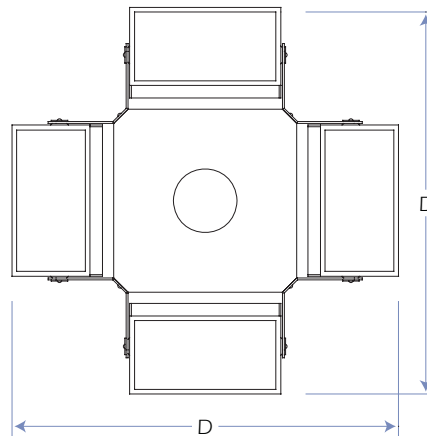
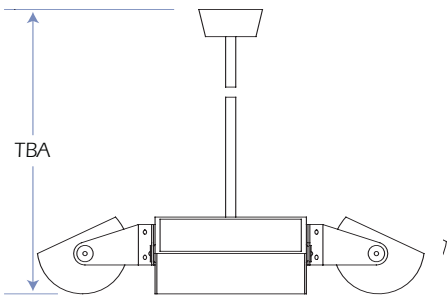
Double Cluster – DC



Triple Cluster – TC

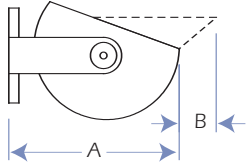


Quad Cluster – QC

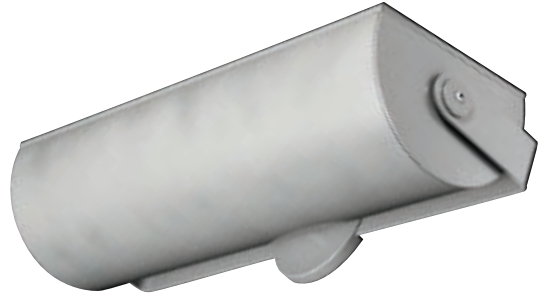


1 Yoke Bracket Wall Mounting

- 3/16" aluminum die formed yoke bracket with cover plate to conceal wiring and mounting hardware
- Wall surface mounted independently over standard 4" junction box
- Field-adjustable luminaire housing

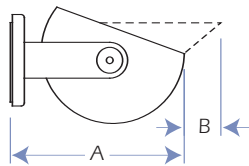


SIZE	A	B
SMALL	7.5"	1.50"
MEDIUM	10.5"	2.50"
LARGE	15"	3.50"



2 Hinged Plate Wall Mounting

- 3/16" aluminum die formed yoke with extruded aluminum detachable hinged mounting plate for hands-free wiring
- Once wired the luminaire swivels over mounting plate and is secured with tamper resistant stainless steel fastener
- Wall surface mounted independently over standard 4" junction box
- Field-adjustable luminaire housing

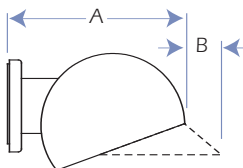
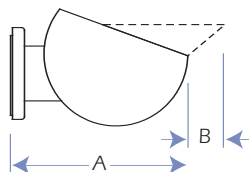


SIZE	A	B
SMALL	8"	1.50"
MEDIUM	11"	2.50"
LARGE	15.5"	3.50"



3 Contour Wall Arm Mounting

- Contoured aluminum extruded arm with extruded aluminum detachable hinged mounting plate for hands-free wiring
- Once wired the luminaire swivels over mounting plate and is secured with tamper resistant stainless steel fastener
- Wall surface mounted independently over standard 4" junction box
- Non field-adjustable luminaire housing

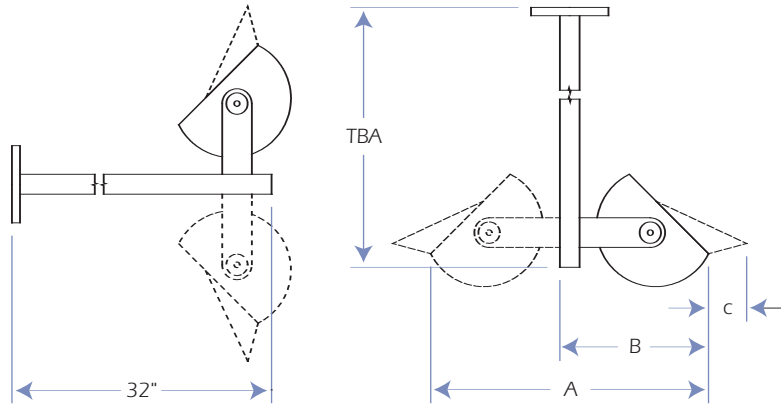


SIZE	A	B
SMALL	8"	1.50"
MEDIUM	11"	2.50"

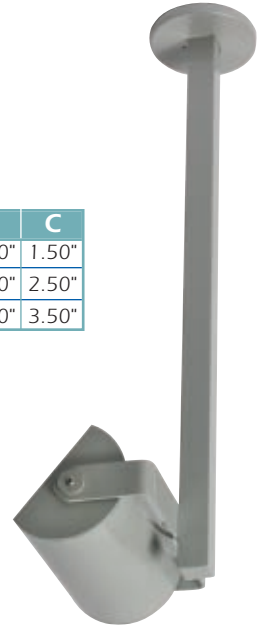


4 Cantilever Mounting

- Aluminum rigid arm/plate assembly
- Wall mounted independently over standard 4" junction box
- Can be pendant mounted independently over standard 4" junction box
- Field-adjustable luminaire housing construction

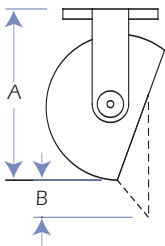


SIZE	A	B	C
SMALL	8.5"	15.50"	1.50"
MEDIUM	11.5"	21.50"	2.50"
LARGE	16"	30.50"	3.50"



5 Ceiling Surface Yoke Bracket Mounting

- 3/16" aluminum die formed yoke bracket with cover plate to conceal wiring and mounting hardware
- Ceiling surface mounted independently over standard 4" junction box
- Field-adjustable luminaire housing

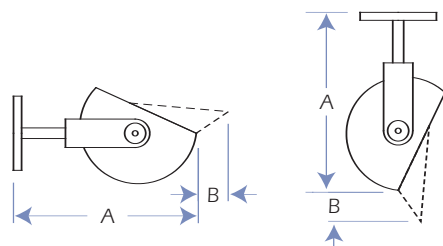


SIZE	A	B
SMALL	7.5"	1.50"
MEDIUM	10.5"	2.50"
LARGE	15"	3.50"



6 Wall or Ceiling Tilt-Swivel Mounting

- Aluminum rigid tilt-swivel arm/plate assembly
- Independently mounted over standard 4" junction box
- Can be wall surface or ceiling surface mounted
- Two-axis field-adjustable luminaire housing

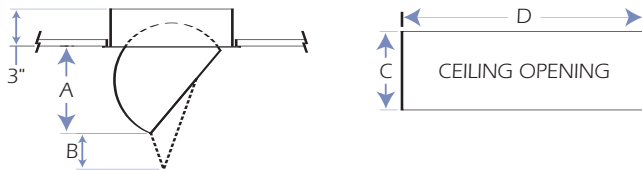


SIZE	A	B
SMALL	11"	1.50"
MEDIUM	14"	2.50"



7 Drywall or Plaster Ceiling Semi-Recessed Mounting

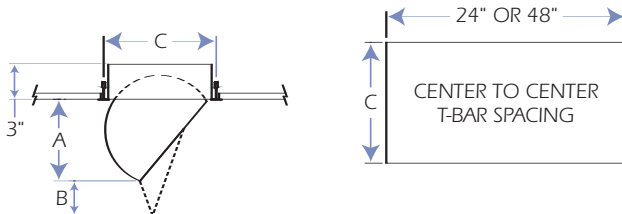
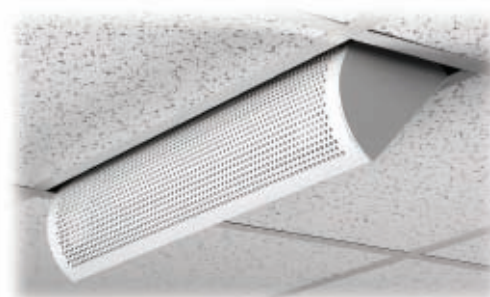
- No yoke construction – concealed luminaire mounting in ceiling
- Matte black recessed frame
- Field-adjustable luminaire housing utilizing concealed fasteners
- Ceiling trim/frame can be pre-shipped for new construction or retrofit application



SIZE	A	B	CEILING OPENING	
			C	D
SMALL	4.50"	1.50"	7.625"	Luminaire length (R) + 2.750"
MEDIUM	6.75"	2.50"	9.875"	Luminaire length (R) + 2.750"

8 T-Bar Ceiling Semi-Recessed Mounting

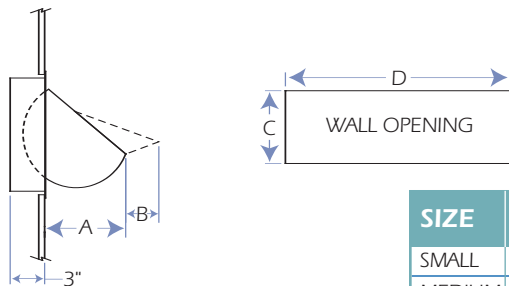
- Luminaire construction for lay-in installation in 1" T-bar NEMA G grid ceiling
- No yoke construction – concealed luminaire mounting in ceiling
- Matte black recessed frame
- Field-adjustable luminaire housing utilizing concealed fasteners



SIZE	A	B	C
SMALL	4.50"	1.50"	7.625"
MEDIUM	6.75"	2.50"	9.875"

9 Drywall or Plaster Wall Semi-Recessed Mounting

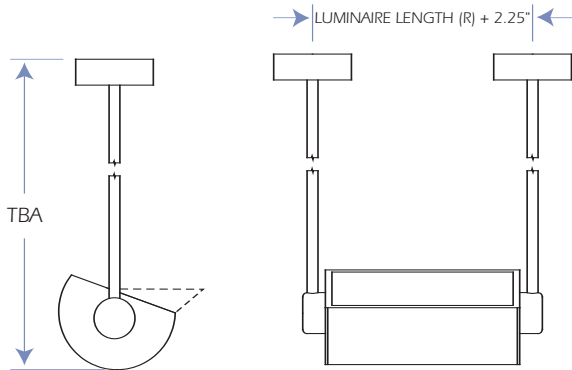
- No yoke construction – concealed luminaire mounting in wall
- Matte black recessed frame
- Field-adjustable luminaire housing utilizing concealed fasteners
- Ceiling trim/frame can be pre-shipped for new construction or retrofit application



SIZE	A	B	CEILING OPENING	
			C	D
SMALL	4.50"	1.50"	7.625"	Luminaire length (R) + 2.750"
MEDIUM	6.75"	2.50"	9.875"	Luminaire length (R) + 2.750"

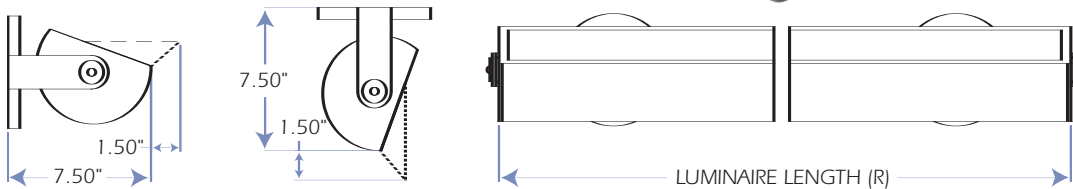
10 Stem Mounting

- Double stem swivel pendant mounting
- Hang straight up to 15° (Consult factory for sloped ceiling)
- Pendant mounted independently over standard 4" junction box
- Field-adjustable luminaire housing



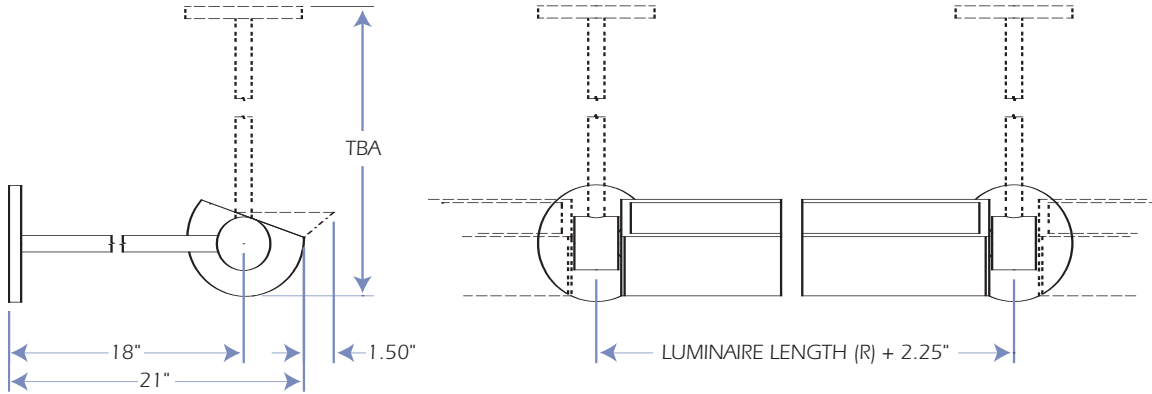
11 Wall Bracket Mounting

- 3/16" aluminum die formed mounting bracket with cover plate to conceal wiring and mounting hardware
- For linear fluorescent wall mount luminaire only
- Independently wall or ceiling surface mounted over standard 4" junction box
- Field-adjustable luminaire housing



12 Arm Mounting

- Rigid two arm wall mounting
- For row mounting linear fluorescent luminaires
- Wall mounted independently over 4" junction box
- Can be pendant mounted independently over standard 4" junction box
- Field-adjustable luminaire housing



13 Custom Mounting

- Detailed information to be supplied by customer