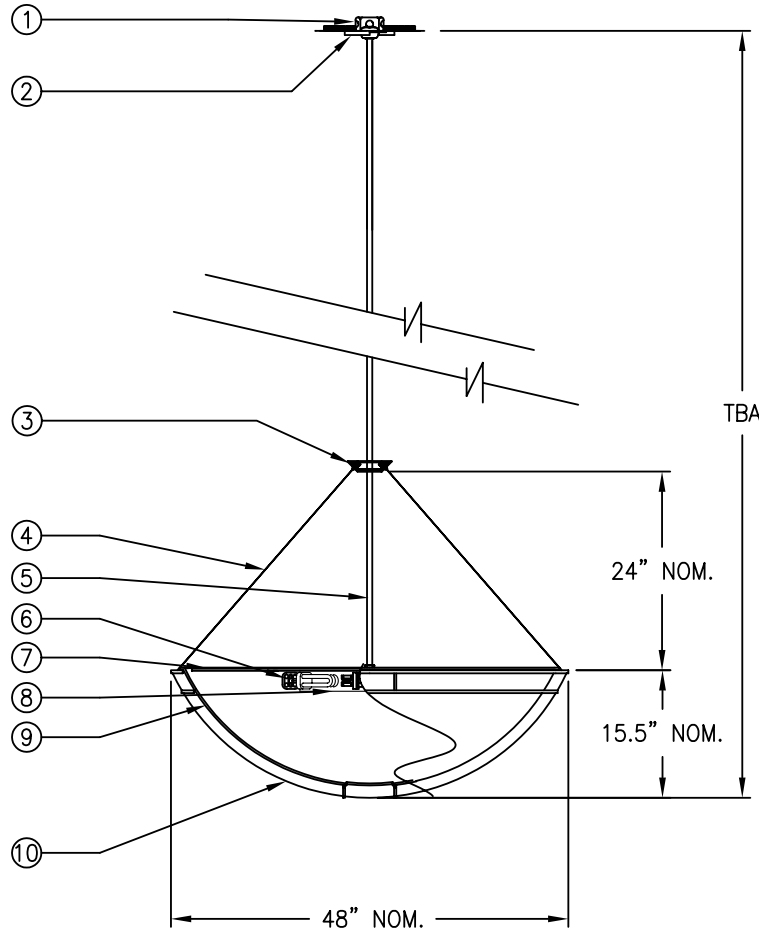


PLAN VIEW



Maximum Wattage : 8XCF42TRI
 DO NOT MOUNT LUMINAIRE EXCEEDING
 25 lbs (11.5 kgs) TO JUNCTION BOX
 When ordering, specify desired VOLTAGE eg:
 LE\P-35421-8XCF40TRI- 120V

NOTES:

1. VOLTAGE: TO SPEC
2. FINISH: PAINT TO SPEC
3. INDOOR USE
4. LAMPS BY OTHERS

NO.	DESCRIPTION
1	J-BOX (BY OTHERS)
2	CANOPY ASSEMBLY
3	LENS FRAME SUPPORT ASSEMBLY
4	AIRCRAFT CABLE ASSEMBLY
5	STEM 1/2" NP
6	LAMP (8) (BY OTHERS)
7	TOP COVER PLATE
8	ELECTRONIC BALLAST (4)
9	SANDBLASTED ACRYLIC LENS
10	LENS GUARD ASSEMBLY

TYPE:	PROJECT
-------	---------

LE\P-35421



DATE: 03.07.14 SCALE: NTS

DRAWING NO. L35421R1