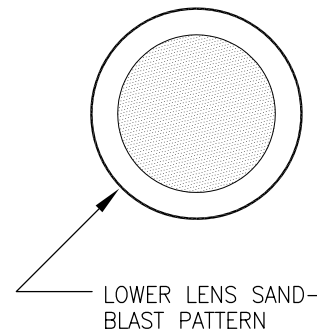


NOTES:

1. VOLTAGE: 120V
2. FINISH: PAINT FINISH
3. INDOOR USE
4. LAMPS BY OTHERS

NO.	DESCRIPTION
1	SAFETY SUPPORT ROD, MIN 1/4-20 (BY OTHERS)
2	SAFETY AIRCRAFT CABLE
3	J-BOX (BY OTHERS)
4	CANOPY
5	BALL ALIGNER 45°
6	6 STEMS 1/2"OD on 8.00" CENTRES
7	BALLAST HOUSING c/w ELECTRONIC BALLAST
8	LAMPHOLDER
9	LAMP CF42TR (10)
10	LENS .187" OPAL ACRYLIC (SANDBLASTED SIGN WHITE)
11	LENS TRIM RING
12	LOWER LENS, CLEAR ACRYLIC c/w SANDBLASTED PATTERN
13	.125" DECORATIVE DISK



Continuous research and development may require to discontinue or alter a product for improvements, without notice. Consult factory for updated information

TYPE:	PROJECT

LE\P-39856



DATE: 06.03.16	SCALE: NTS
DRAWING NO.	L39856R1